

Reavell

**Gardner
Denver**

HIGH PRESSURE SOLUTIONS



BREATHING NEW LIFE

High Pressure Compressor Modules
for Breathing Air System Providers

Breathing New Life



Designed for reliable integration and optimised for maintenance

Breathe new life into your breathing air systems with Reavell

Staying Ahead With Reavell

For more than 100 years, Reavell has been at the forefront of compressed air technology. The engineers behind the first Scott-Reavell steam engine, patented in 1894, probably wouldn't recognise today's high pressure compressor range, but they would certainly identify with our relentless drive for technical excellence.

As part of the global Gardner Denver High Pressure Division, we continually invest in research and development, with the goal of ever-improving reliability and efficiency. Our compact solutions are designed to offer maximum output with minimum size and weight - delivering performance and peace of mind for customers in demanding, competitive environments, at sea, on land and underground.

Breathing air offers a lifeline when it matters most. Our modules are designed to ensure reliability through integration, making Reavell the intelligent partner for your breathing air systems.

Groundbreaking Integrated Reliability

Reavell is a world renowned name in breathing air supply, and we have developed our premium range of compressors into a truly groundbreaking range of breathing air modules, designed to ensure reliability through ease of integration, specifically for your breathing air packages.

Whether it's that focus on ease of integration, the benefits of our revolutionary piston technology, our expertise in air and gas compression, or the support you can expect from a global leader, you can be sure that integrating a Reavell module into your package means reliability and heritage will be built in.

With this in mind, it's no surprise that our breathing air systems are used across commercial and industrial settings, so wherever your end user - Reavell offers the compressor you'll need.

- Fire Departments
- Rescue and Recovery
- Diving
- Defence
- Marine/Offshore
- Sport & Leisure

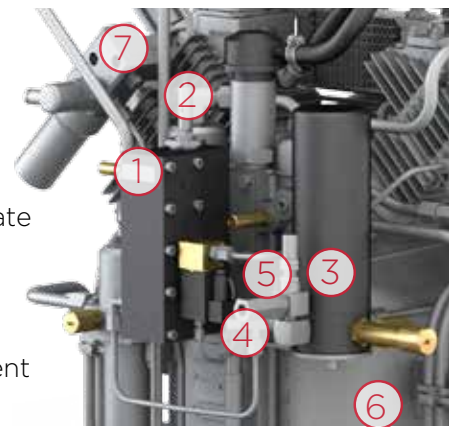


The 7 Steps to Integrated Reliability

Integrated reliability means you don't need to worry about your compressor unit.

Using our experience of OEM, packager and end user supply we know the difficulties involved in packaging any breathing air compressor, and using our expertise in compressor design, we've solved them.

We don't pass on reliability issues to be solved by the packager, that's why all Reavell breathing air modules above 5 kW come with the following features built in, to ensure reliability in the toughest conditions.



1

Integrated unloading and condensate drain block ensures safe and reliable draining of the compressor. Protects from condensate build up, uneven unloading and staggered re-loading which can lead to high pressure stage failures.

2

Drain block safety valve protects drain block in the event of a downstream blockage.

3

Separator assembly final stage cyclone separator included to ensure condensate is efficiently removed before downstream equipment.

4

Non-return valve ensures downstream (system) pressure is not lost during compressor drain cycles.

5

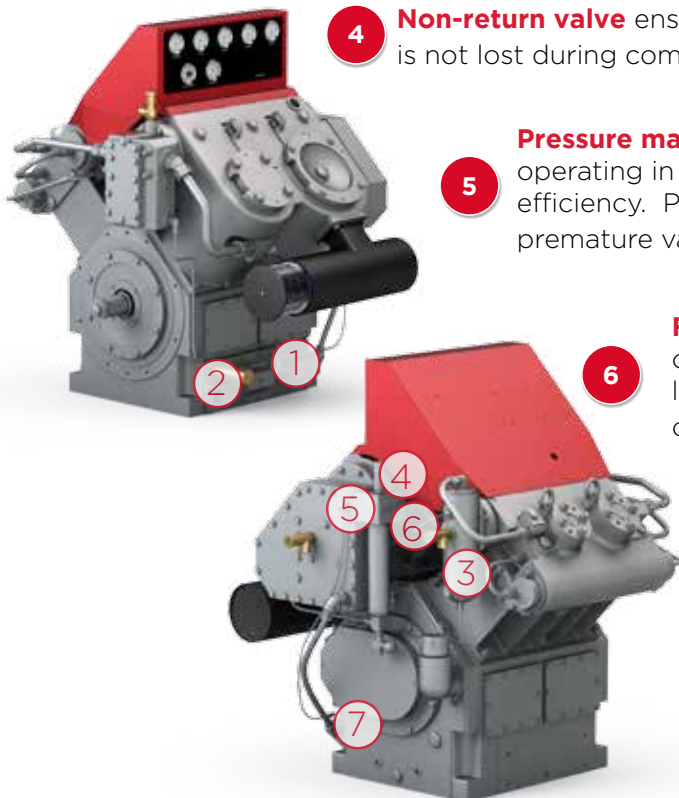
Pressure maintaining valve ensures compressor is operating in its intended pressure range for optimum efficiency. Protects from high oil carryover and premature valve failure.

6

Final delivery safety valve ensures compressor is running within its design limits, protects from over pressurisation and catastrophic failure.

7

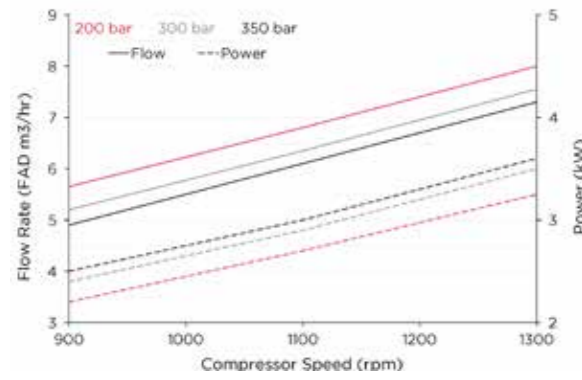
Oil injection lubrication to the running gear and all compression stages maximises service intervals and ensures your machine runs reliably.



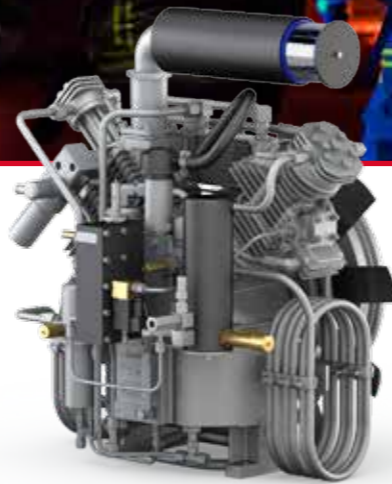
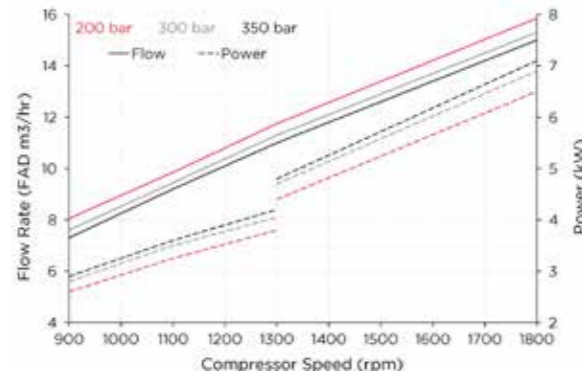
Integrated New Life



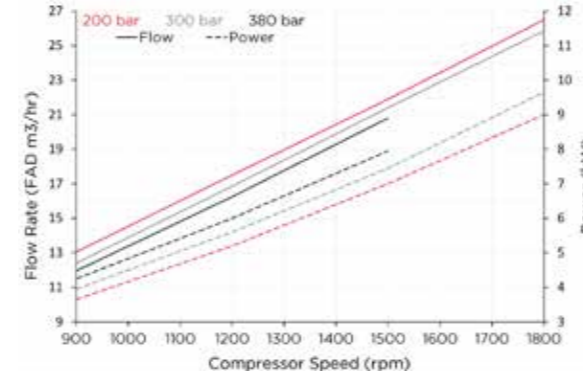
5404



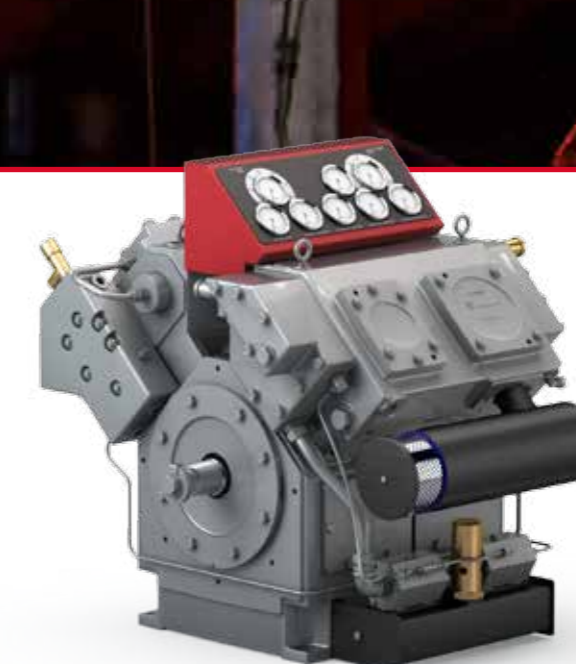
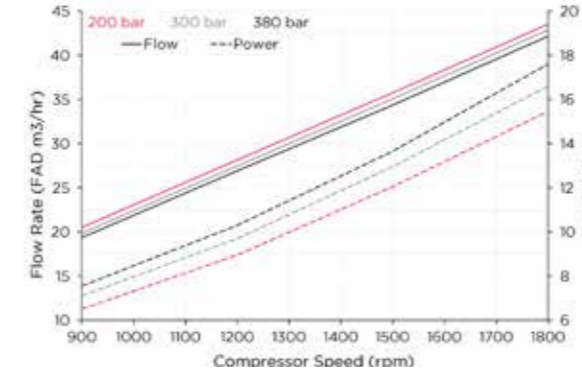
5405



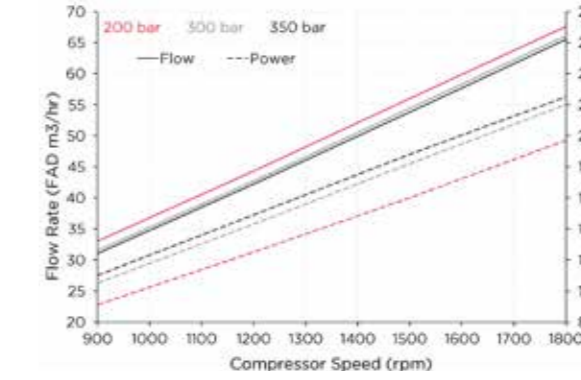
5407



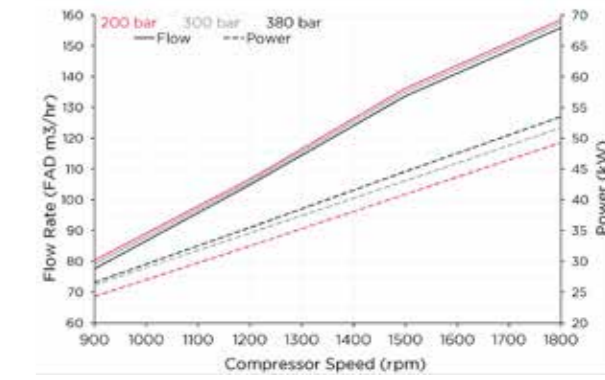
5409



5417



5437



Drive Options		
443 X 1 X SPA		
Maximum Motor Power		
4 kw	5.4 HP	
Maximum Delivery Pressure		
414 barg	6,000 psig	
Dimensions		
Length 361 mm 14.2 in	Depth 530 mm 20.9 in	Height 505 mm 19.9 in
Mass		
39 kg	79 lb	
Delivery Connection		
8 mm		
Noise Level		
82 dB(A)		

Drive Options		
326 X 1 X SPA		
Maximum Motor Power		
4.5 kw	6 HP	
Maximum Delivery Pressure		
414 barg	6,000 psig	
Dimensions		
Length 361 mm 14.2 in	Depth 530 mm 20.9 in	Height 505 mm 19.9 in
Mass		
39 kg	86 lb	
Delivery Connection		
8 mm		
Noise Level		
82 dB(A)		

Drive Options		
325 X 2 X SPA		
Maximum Motor Power		
10 kw	13.4 HP	
Maximum Delivery Pressure		
414 barg	6,000 psig	
Dimensions		
Length 483 mm 19 in	Depth 559 mm 22 in	Height 685 mm 27 in
Mass		
77 kg	170 lb	
Delivery Connection		
8 mm		
Noise Level		
86 dB(A)		

Drive Options		
325 X 2 X SPA		
Maximum Motor Power		
18 kw	24.1 HP	
Maximum Delivery Pressure		
414 barg	6,000 psig	
Dimensions		
Length 515 mm 20.3 in	Depth 714 mm 28.1 in	Height 697 mm 27.4 in
Mass		
113 kg	249 lb	
Delivery Connection		
8 mm		
Noise Level		
88 dB(A)		

Drive Options		
310 X 2 X SPB	N-EU PEX Type 'A' Size 140	
Maximum Motor Power		
25 kw	33.5 HP	
Maximum Delivery Pressure		
414 barg	6,000 psig	
Dimensions		
Length 804mm 31.7 in	Depth 938 mm 36.9 in	Height 749 mm 29.5 in
Mass		
520 kg	1145 lb	
Delivery Connection		
1/2 G		
Noise Level		
82 dB(A)		

Drive Options		
310 X 2 X SPC	N-EUP EX Type 'A' Size 160	
Maximum Motor Power		
55 kw	73.8 HP	
Maximum Delivery Pressure		
414 barg	6,000 psig	
Dimensions		
Length 1073 mm 42.2 in	Depth 1236 mm 48.7 in	Height 1121 mm 44.1 in
Mass		
1140 kg	2513 lb	
Delivery Connection		
1/2 G		
Noise Level		
89 dB(A)		

Advanced New Life



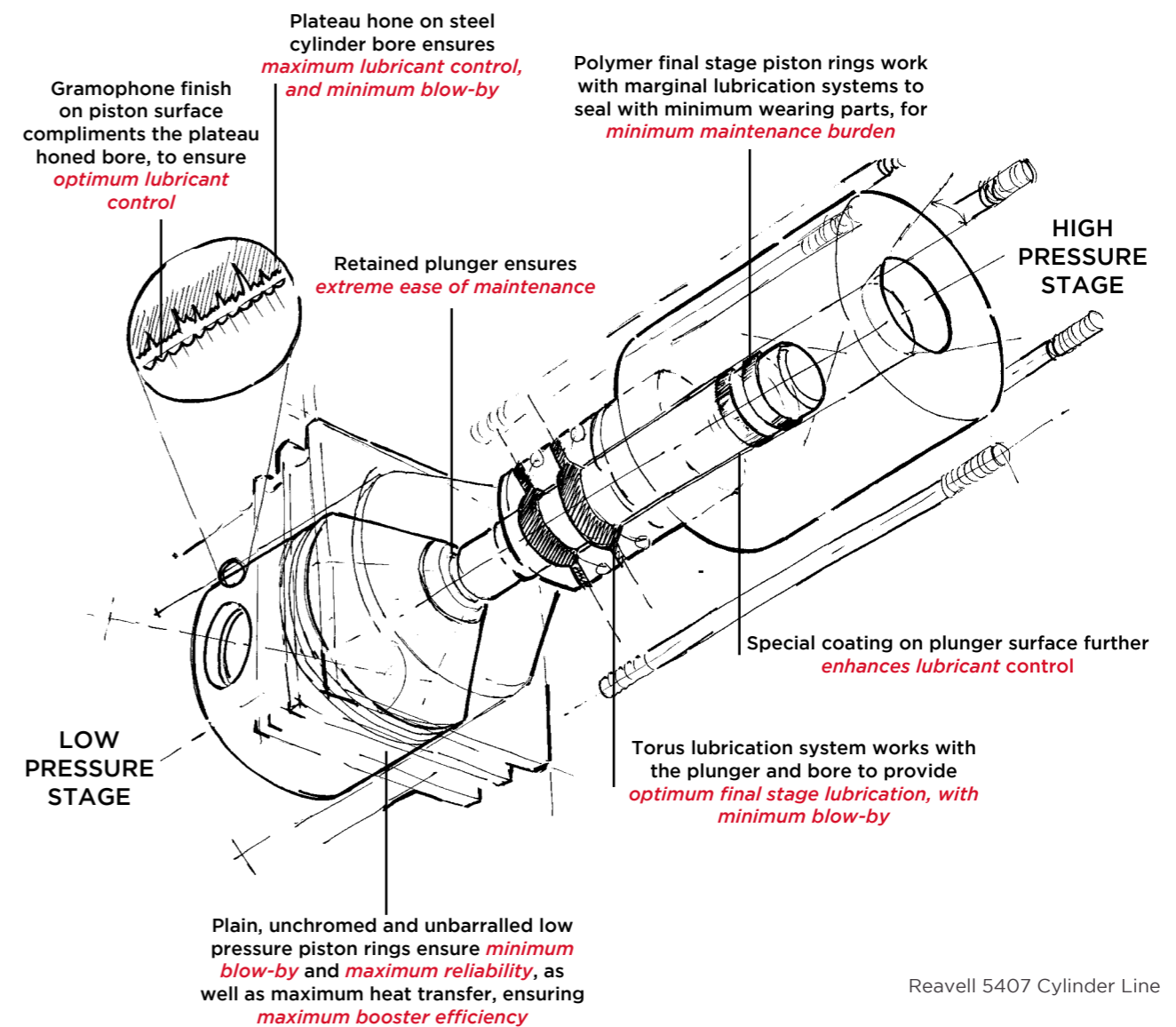
Best in Class Oil Carryover Guaranteed

Reavell's revolutionary piston technology results in market leading oil carryover below 3 ppm, maximising downstream filter life and minimising compressor oil consumption.

Our low pressure stages ensure minimum oil carryover, unparalleled machine reliability and maximum efficiency through the use of our own specification of iron alloy bores, plateau honed to our in house design standards, iron piston rings with optimised geometry and targeted lubrication.

But it's our high pressure stages that really set us apart from the competition. Decades of development work focusing on minimising oil carryover, maximising reliability, and allowing extreme ease and speed of maintenance have led us to our revolutionary hardened steel, polished bores combined with polymer piston rings and our revolutionary torus lubrication system.

So whatever matters to you, whether it's minimum oil carryover, maximum reliability, or extreme ease of maintenance, you can be sure you've made the right choice with Reavell.



Reavell 5407 Cylinder Line

Specialised New Life



Quality - When It Matters Most

At Reavell we aren't like other breathing air compressor manufacturers, we support specialist compressed air and gas requirements across industry, and that means we can offer you more.

All of our compressors are designed and manufactured in our factory in the UK, meaning we don't purchase 3rd party compressor components or sub-assemblies. Because we

design and specify every component to our exacting standards we know the limits of our machines, and we are happy to take our breathing air compressors further than anyone else - whether it's explosive environments, sub-zero temperatures, or any other critical application, you can be sure that with a Reavell compressor, we've got you covered.

ATEX Certified

All compressor designs have been ATEX assessed, and can be supplied with ATEX certification and a temperature rating of T2

3.1 Material Certificates

For critical applications, 3.1 material certificates are available on pressure retaining parts across the range, giving complete material traceability

Operation Below 0°C Ambient

All compressors can operate at ambient temperatures down to -10°C, with sump heaters available on all models rated above 5 kW

Servicing and Maintenance - 1,500 Hour Service intervals

As a package supplier, supporting your customer's investment is a key aspect of your business, and with a Reavell compressor you can be sure you've got the edge over the competition.

Our compressors come with market leading service intervals up to 1,500 hours. We provide

preventative maintenance kits designed to minimise costs, covering minor air end servicing right down to running gear overhauls - so not only will your machine run longer between services, but it will also keep on running long after the competition machines have been replaced.

	Oil Change	Minor 1	Minor 2	Minor 3	Minor 4	Minor 5	Major
5404	HSK1503	HSK1511	HSK1538	-	-	-	HSK1600
5405	HSK1503	HSK1511	HSK1546	-	-	-	HSK1554
5405E	HSK1503	HSK1562	HSK1570	-	-	-	HSK1589
5407	HSK5207	HSK1457	HSK6394	HSK6408	-	-	HSK6416
5409	HSK1392	HSK1406	HSK6424	HSK6432	-	-	HSK6440
5417	HSK1856	HSK1937	HSK1945	HSK1953	HSK1961	HSK1988	HSK1996
5437	HSK1201	HSK1228	HSK1236	HSK1252	HSK1244	-	HSK1260

5404 and 5405 service interval 500 hours
 5407 and 5409 service interval 1,000 hours
 5417 and 5437 service interval 1,500 hours

Supporting New Life

Reavell - Your Specialist Partner

At Reavell we value our partners, and we know that every successful OEM partnership is unique.

Speak to your local Reavell sales representative about the unique OEM supply agreements we can offer to our breathing air module customers.

OEM Supply Specialists

Reavell have supplied high pressure piston compressors for over 100 years. And not only that, throughout our history we have offered solutions at every level of industry, supplying air ends to OEMs, semi complete packages to integrators, and complete turnkey packages to end users.

This unique position means we understand the market requirements at every level, and know the challenges faced by package designers. So our unique breathing air modules offer you the flexibility to develop a package unique to your brand, but with all of the reliability of a premium breathing air machine built in - that's why all of our compressors can be delivered with extra or modified equipment to ensure they fit into your system as efficiently as possible.

What's more, our engineers have minimised the module footprint, giving you maximum freedom to ensure your package is lightweight, compact, and includes plenty of space for maintenance.

Speak to your local Reavell sales representative today to find out more about our range of world class breathing air modules.

Factory Refurbishment Centre

Depending on the planned lifetime of your systems, replacing compressor units is not always a suitable option. Our factory refurbishment centre has supported key customers across industry and military applications for decades, so you can be sure that with Reavell - your total system will be supported for its life.



Reavell Training Days

At Reavell we're proud of our products - and we like to show them off!

Our range of factory training days cover everything from important health and safety considerations and breathing air basics right up to in depth machine maintenance training and market and application focussed sales training.

What's more, because we value our partners we can design a bespoke training course around your requirements. So whether it's sales training centered on technical features and USPs or hands-on maintenance training for your engineers, we can offer the course for you.

All supported by our brand new factory training centre, opened in 2017, and available at a time and place that suits you, speak to your local Reavell sales representative today to book your place.



Breathing New Life

High Pressure Compressor Modules for Breathing Air System Providers



Perfect With Pressure

Designed for reliable integration and optimised for maintenance. Breathe new life into your breathing air systems with Reavell

Ease of Integration

- Integrated reliability means you don't have to worry about your compressor unit

Revolutionary Piston Technology

- Low pressure stage design ensures maximum reliability and efficiency, with minimum piston blow-by
- High pressure stage design ensures minimum oil consumption and blow-by, maximum reliability, fewer wearing parts and extreme ease of maintenance

Industry Leading Expertise

- ATEX certified, 3.1 Material certificates, operation below 0°C ambient
- Market leading 1,500 hour service intervals

Specialist Support

- Unique OEM supply agreements
- Bespoke training packages

Single Source Solutions

For more than 155 years, Gardner Denver has been a leading global provider of compressors, blowers and vacuum pumps. OEMs and end-users from every corner of the world rely on us for their business solutions.

With global teamwork, strong customer focus, and vast application knowledge, our brands provide reliable, energy-efficient products that serve a wide range of manufacturing and process industries.



GARDNER DENVER REAVELL OFFER SOLUTIONS FOR:

BREATHING AIR	BREATHING GAS	NITROGEN BOOSTING	CNG + BIOGAS
ENGINE START	INDUSTRIAL AIR + GAS	MARINE + OFFSHORE	DEFENCE

Contact us today:

Gardner Denver Ltd

Claybrook Drive, Redditch, Worcestershire, B98 0DS, UK

T: +44 (0) 1527 838 600, F: +44 (0) 1527 838 630

E: highpressure@gardnerdenver.com

W: www.gdhighpressure.com



For additional information please contact Gardner Denver or your local representative.

Specifications subject to change without notice.